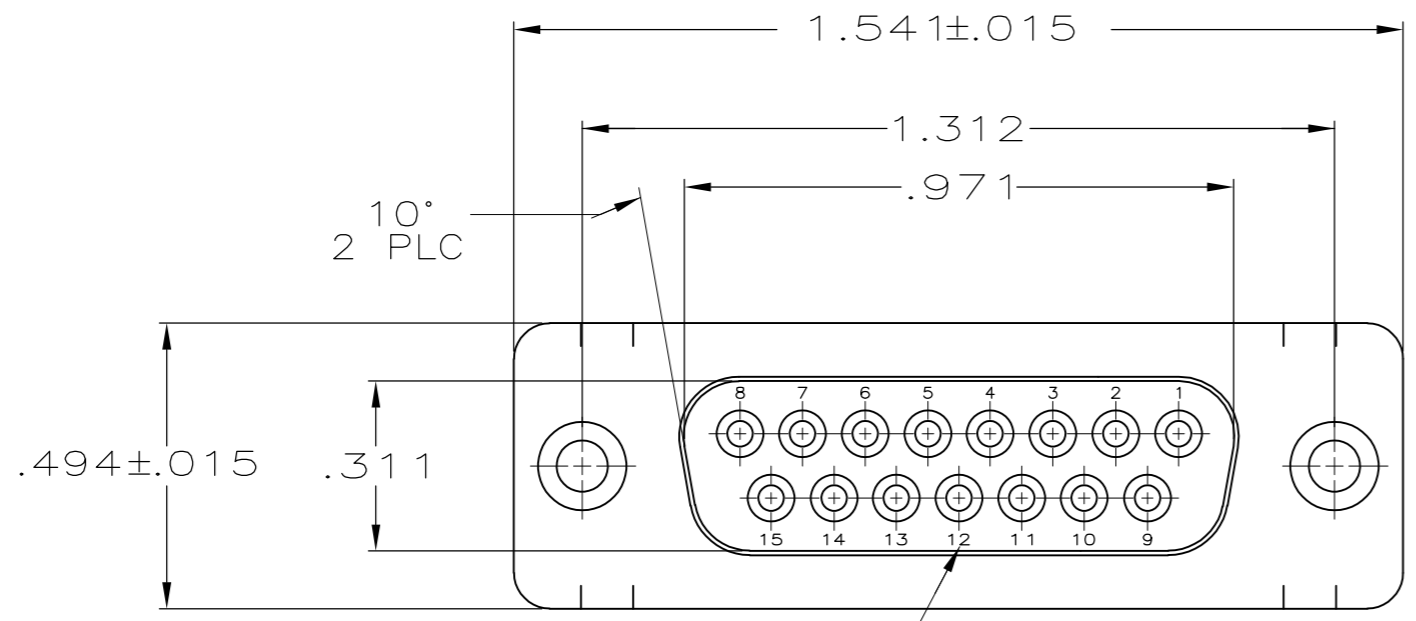


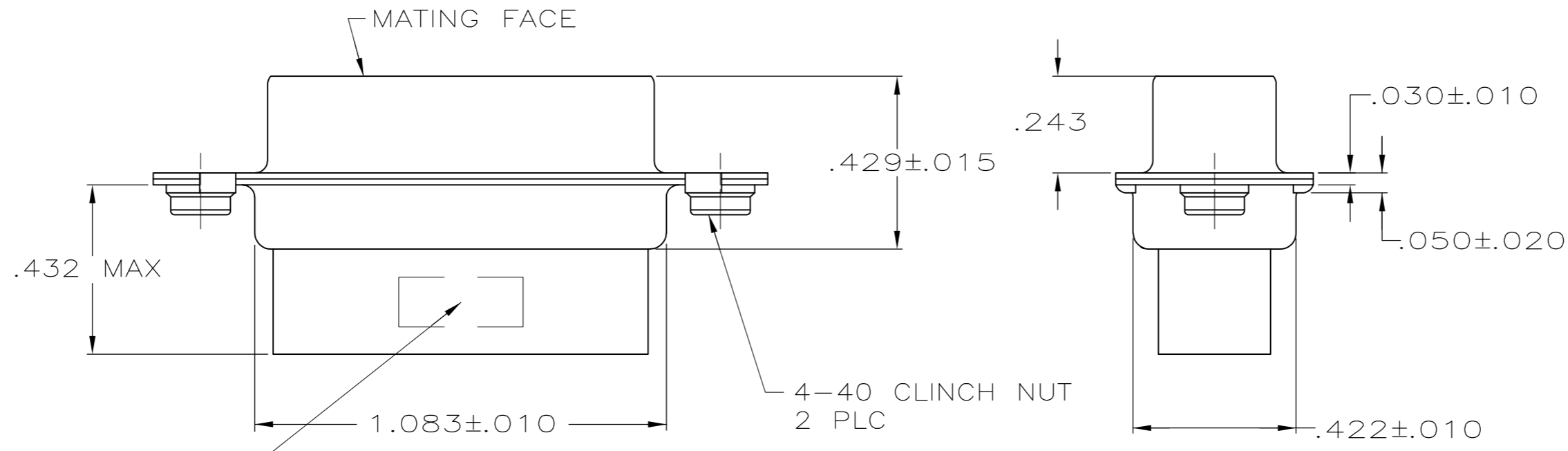
THIS DRAWING IS UNPUBLISHED. RELEASED FOR PUBLICATION
 © COPYRIGHT BY TYCO ELECTRONICS CORPORATION. ALL RIGHTS RESERVED.

LOC		DIST		REVISIONS			
P	LTR	DESCRIPTION	DATE	DWN	APVD		
GP	00	01	REVISED PER ECO-07-007540	21JUN07	JDP/CWR		



RAISED CAVITY IDENTIFICATION

- 1. CONNECTOR ACCEPTS SIZE 20 DF SOCKET CONTACTS, RETENTION TINES ARE AN INTEGRAL PART OF INSERT.
- △ MOLDED PARTS:
FLAME RETARDANT 94V-0 RATED THERMOPLASTIC; BLACK.
- △ SHELLS: STEEL PER ASTM A109.
- △ .000200 MIN TIN PLATE OVER
.000100 MIN COPPER UNDERPLATE.



MANUFACTURER'S LOGO, PART NO. & DATE CODE, INK STAMPED IN AREA INDICATED, ON FAR SIDE

1658644-1
PART NO.

THIS DRAWING IS A CONTROLLED DOCUMENT.		DWN J.REITZEL 30JUL03	Tyco Electronics Corporation Harrisburg, PA 17105-3608			
DIMENSIONS: INCHES		CHK S.BOLASH 30JUL03				
TOLERANCES UNLESS OTHERWISE SPECIFIED:		APVD M.WALMSLEY 30JUL03	NAME RECEPTACLE CONNECTOR, SIZE 2, 15 POSN, WITH CLINCH NUTS, AMPLIMITE HDP			
0 PLC ± - 1 PLC ± - 2 PLC ± - 3 PLC ± .005 4 PLC ± - ANGLES ± 2°		PRODUCT SPEC 108-40005	SIZE A2	CAGE CODE 00779	DRAWING NO. C=1658644	RESTRICTED TO -
MATERIAL △ 2 △ 3		FINISH △ 4	WEIGHT -	SCALE 4:1	SHEET 1 of 1	REV 01
CUSTOMER DRAWING						